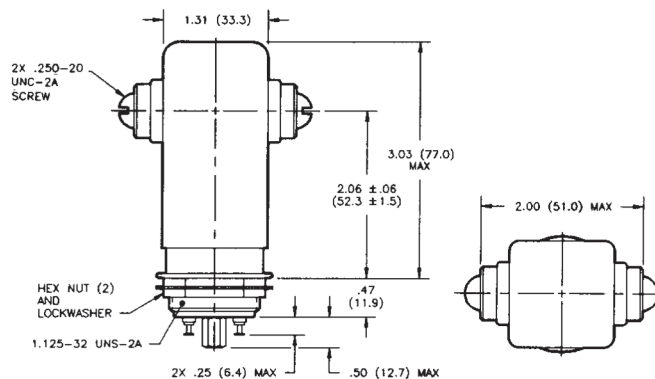
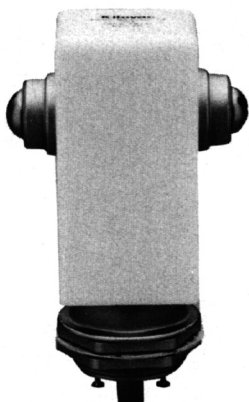


KC-Series No Load Switching — 25 kV Relays

KC-20

Product Facts

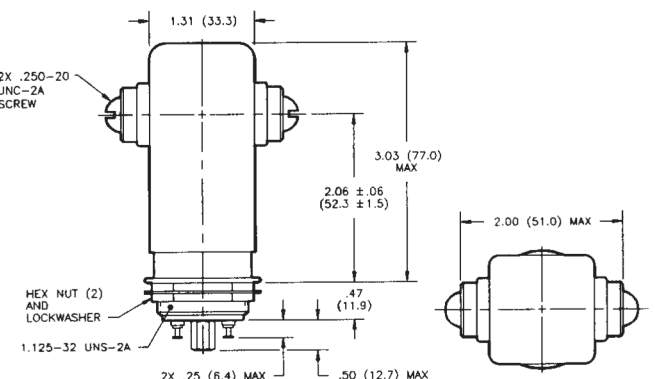
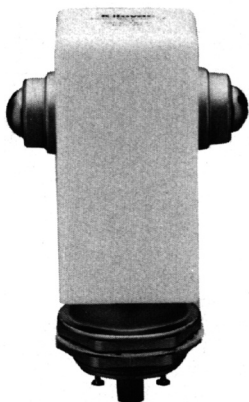
- Rugged, high current carry ceramic relay
- Carries 30 Amps at 32 MHz
- Copper contacts; not designed for power switching
- Meets requirements of MIL-R-83725



KC-30

Product Facts

- Normally closed version of KC-20
- Carries 55 Amps DC
- Vacuum dielectric for low leakage current applications



Product Specifications for KC-20 and KC-30

Contact Arrangement —

KC-20 — SPST-NO
 KC-30 — SPST-NC

Contact Form —

KC-20 — X
 KC-30 — Y

Test Voltage, DC or 60 Hz (Peak) —

KC-20 — 30 kV
 KC-30 — 28 kV

Rated Operating Voltage (Peak) —

DC or 60 Hz — KC-20 — 28 kV
 KC-30 — 25 kV

2.5 MHz — 22 kV

16 MHz — KC-20 — 12 kV
 KC-30 — 10 kV

32 MHz — KC-20 — 10 kV
 KC-30 — 9 kV

Continuous Carry Current, Max. —

DC or 60 Hz — KC-20 — 110 A
 KC-30 — 55 A

2.5 MHz — KC-20 — 60 A
 KC-30 — 30 A

16 MHz — KC-20 — 40 A
 KC-30 — 20 A
 32 MHz — KC-20 — 30 A
 KC-30 — 15 A
 Coil Hi-Pot (Vrms, 60 Hz) — 500 A

Contact Capacitance —
 Between Open Contacts — 2.5 pF
 Open Contacts to Ground — 2.5 pF

Contact Resistance, Max. —
 KC-20 — 0.005 ohm
 KC-30 — 0.01 ohm

Operate Time, Max. — 18 ms

Release Time, Max. —
 KC-20 — 10 ms
 KC-30 — 20 ms

Shock, 11ms, 1/2 Sine (Peak) —
 30 g

Vibration —
 Peak — 10 g (55 to 500 Hz)

Operating Ambient Temperature Range — -55°C to +125°C

Mechanical Life — 2 million cycles

Weight, Nominal —
 340 g (12 oz.)

Coil Data

Volts, Nominal DC	12 V	26.5 V	115 V
Pickup, Max.	8 Vdc	16 Vdc	80 Vdc
Dropout	.5-5 Vdc	1-10 Vdc	5-50 Vdc
Coil Resistance (±10%)	24 Ω	120 Ω	2000 Ω

Ratings listed are for 25°C, sea level conditions

Ordering Information

Sample Part Number ► **KC- 20 /12Vdc**

Series: _____

Model: _____
 KC-20
 KC-30

Coil Voltage: _____
 Blank = 26.5 Vdc
 /12Vdc = 12 Vdc
 /115Vdc = 115 Vdc

For factory-direct application assistance, dial 800-253-4560, ext. 2055, or 805-220-2055.